

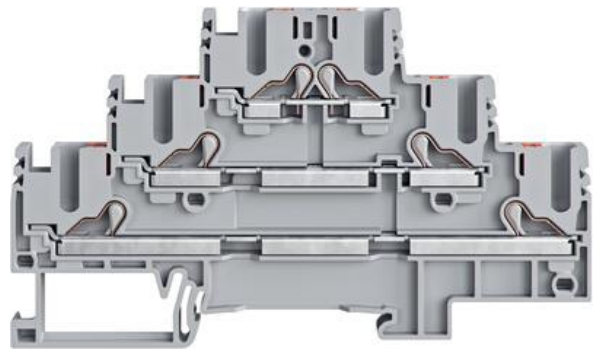
## TRIPLE DECK TERMINALS - PIKD 2.5MM<sup>2</sup>, PVMAK

PIKD, PVMAK

27039.6

PIKD 2.5 Grey, 2.5mm<sup>2</sup> triple deck terminal

- Push In technology
- Linked versions
- Colour marked
- Earth versions
- Motor connection terminal



### PRODUCT DESCRIPTION

## TECHNICAL DATA

### GENERAL DATA

Rated wire cross section	2.5 mm <sup>2</sup>
Colour	Grey
Rated voltage IEC	500 V
Rated current IEC	20 A
Mounting	Mounting rail TS 35/7.5
Rated impulse voltage	6 kV
Overvoltage category	III
Contamination degree	3

### DIMENSIONS

Length	102 mm
Width	5.1 mm
Height TS 35/7.5	57.7 mm
Height	56.2 mm

### CONNECTION DATA

Connections	2 x 3
Number of levels	3
Plug gauge acc. EN 60 947-1	A3
Cross connect channels	3

Cross section single wire from	0.14 mm <sup>2</sup>
Cross section single wire to	4 mm <sup>2</sup>
Cross section stranded wire from	0.14 mm <sup>2</sup>
Cross section stranded wire to	2.5 mm <sup>2</sup>
Cross section stranded with ferrule from	0.14 mm <sup>2</sup>
Cross section stranded with ferrule to	2.5 mm <sup>2</sup>
Rated wire cross section from	26 AWG
Rated wire cross section to	12 AWG
Stripping length	10 mm

## MATERIALS

Insulation material	Polyamide 6.6
Flammability class	UL94-V0
Operating temperature from	-40 °C
Operating temperature to	120 °C

## ADDITIONAL DATA

Tariff code	85369010
Country of origin	CZ
Weight	18.85 g
Pack size	50

Number of terminals per level	2
-------------------------------	---

