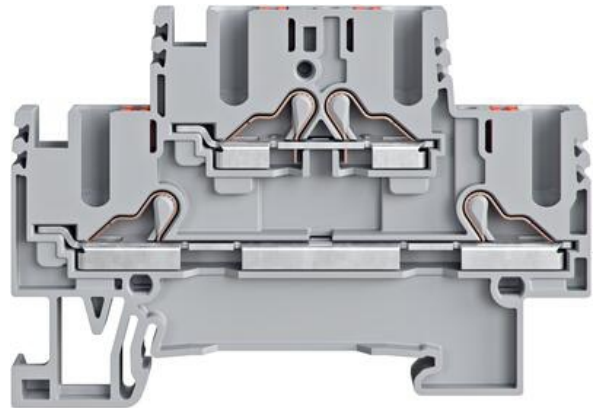


DOUBLE DECK TERMINALS - PRKD/PSLD
2.5 - 4MM²

PRKD, PSLD

27036.6
PRKD 2.5 Grey, 2.5mm² double deck terminal

- Push In technology
- Linked options
- Colour marked versions
- 1 in 2 out 4mm² version
- Earth variants

**PRODUCT DESCRIPTION****TECHNICAL DATA****GENERAL DATA**

Rated wire cross section	2.5 mm ²
Colour	Grey
Rated voltage IEC	500 V
Rated current IEC	22 A
Mounting	Mounting rail TS 35/7.5
Rated impulse voltage	6 kV
Overvoltage category	III
Contamination degree	3

DIMENSIONS

Length	68.7 mm
Width	5.1 mm
Height TS 35/7.5	47.2 mm
Height	45.7 mm

CONNECTION DATA

Connections	2 x 2
Number of levels	2
Plug gauge acc. EN 60 947-1	A3
Cross connect channels	2

Cross section single wire from	0.14 mm ²
Cross section single wire to	4 mm ²
Cross section stranded wire from	0.14 mm ²
Cross section stranded wire to	2.5 mm ²
Cross section stranded with ferrule from	0.14 mm ²
Cross section stranded with ferrule to	2.5 mm ²
Rated wire cross section from	26 AWG
Rated wire cross section to	12 AWG
Stripping length	10 mm

MATERIALS

Insulation material	Polyamide 6.6
Flammability class	UL94-V0
Operating temperature from	-40 °C
Operating temperature to	120 °C

ADDITIONAL DATA

Tariff code	85369010
Country of origin	CZ
Weight	10.31 g
Pack size	50

Number of terminals per level	2
-------------------------------	---

