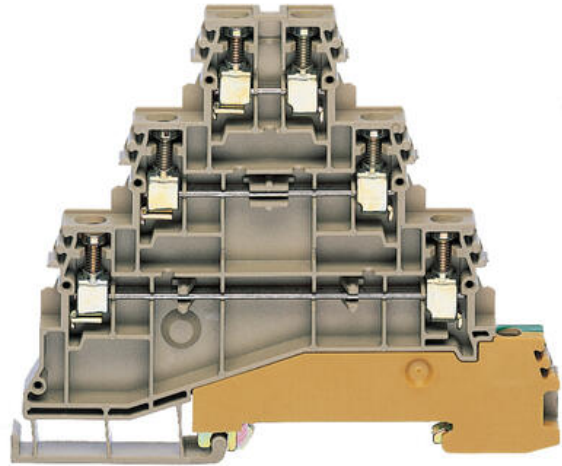


## TRIPLE DECK TERMINALS - IKD 2.5MM<sup>2</sup>/VMAK

IKD, VMAK

1260.2  
 IK 2,5 BG

- For connecting encoders or motor outputs
- Material polyamide 6.6
- Colour marked versions available
- Temperature resistance -40 °C...+150 °C
- Flammability class V2



### PRODUCT DESCRIPTION

The IKD 2.5/Q triple-deck DIN-rail terminal block from CONTA-CLIP (also known as VMAK 2.5) is a compact, space-saving module optimised for high-density wiring schemes. With a 5 mm width and 84.8 mm length (for 3-pole), it provides three stacked screw-connection layers, each accommodating a 2.5 mm<sup>2</sup> conductor (22–14 AWG). The block taps M2.5 slotted screws (torque 0.4–0.8 Nm) and requires a 7 mm stripping length, ensuring secure connections under up to 250 V (IEC) and 24 A (CSA), at operating temperatures from -40 °C to +105 °C. The polyamide 6.6 housing meets UL94-V2 flame resistance, while snap-on feet fit both TS35/7.5 and TS32 rails. Options include variants for feed-through, protective earth (PE), and plug-in connectors, along with accessories like end plates, cross-connectors, test sockets, and jumper rails to streamline installation.

In practical applications, IKD 2.5/Q triple-deck terminals are ideal for control cabinets, automation systems, and signal distribution panels where conductor layering, circuit segmentation, and test access are crucial—but panel real estate is limited. Their stacked design handles multiple circuits (e.g., supply, signal, and return) in just one block, reducing wiring clutter and simplifying maintenance. The blocks' compatibility with jumpers and test plugs makes them well-suited for modular test setups and diagnostic paths, while the UL/CSA/IEC approvals ensure compliance in industrial and commercial environments. Overall, the IKD series offers a robust, flexible solution for high-density, multi-level wiring needs.

## TECHNICAL DATA

### GENERAL DATA

Rated wire cross section	2.5 mm <sup>2</sup>
Colour	Beige
Rated voltage IEC	250 V
Rated current IEC	24 A
Mounting	TS 35
Rated impulse voltage	4 kV
Overvoltage category	III
Contamination degree	3
Approvals	UL, cUL, KEMA KUR

### DIMENSIONS

Length	62.8 mm
--------	---------

Width	5 mm
Height TS 35/7.5	58.3 mm
Height TS 32	62.8 mm

## CONNECTION DATA

Connections	4
Number of levels	3
Plug gauge acc. EN 60 947-1	A3
Cross connect channels	3
Cross section single wire from	0.2 mm <sup>2</sup>
Cross section single wire to	4 mm <sup>2</sup>
Cross section stranded wire from	0.2 mm <sup>2</sup>
Cross section stranded wire to	4 mm <sup>2</sup>
Cross section stranded with ferrule from	0.2 mm <sup>2</sup>
Cross section stranded with ferrule to	2.5 mm <sup>2</sup>
Rated wire cross section from (AWG)	22
Rated wire cross section to (AWG)	14
Stripping length	7 mm
Screw size	M 2,4
Screw type	Slotted
Torque min	0.4
Torque max	0.8

## MATERIALS

Insulation material	Polyamide 6.6
Flammability class	UL94-V2
Operating temperature from	-40 °C
Operating temperature to	105 °C

## APPROVALS

Rated voltage UL	300 V
Rated current UL	20 A
UL test standard	UL 1059
Rated voltage cUL	300 V
Rated current cUL	20 A
cUL test standard	C22.2 No 158

<b>KEMA KEUR test standard</b>	EN 60947-7-1:2009
--------------------------------	-------------------

## ADDITIONAL DATA

<b>Tariff code</b>	85369010
<b>Country of origin</b>	CZ
<b>Weight</b>	10.81 g
<b>Pack size</b>	100
<b>Type of terminal</b>	Screw Terminals, DIN Rail terminals