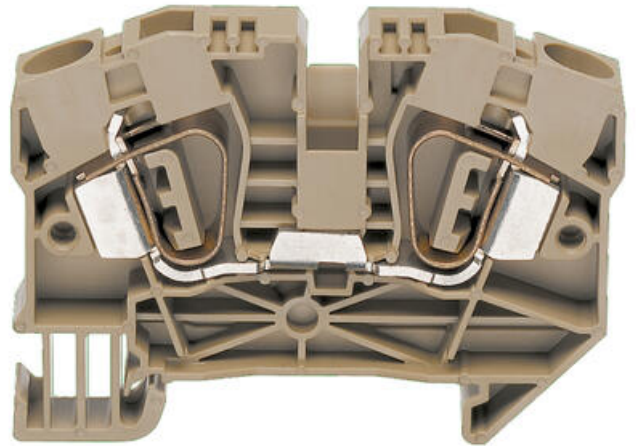


**FEED THROUGH TERMINALS - ZRK 2.5-16 MM<sup>2</sup>**

ZRK

3500.0  
ZRK 2.5/2A Brown, 2.5mm<sup>2</sup> Tension spring, feed through

- Material polyamide 6.6
- Temperature resistance -40 °C...+120 °C
- Flammability class V0

**PRODUCT DESCRIPTION**

The tension spring range of terminals for wire cross-sections from 0.2 mm<sup>2</sup> to 16 mm<sup>2</sup> includes: the ZRK/ZSL series of feed-through and PE terminals, the double-level ZRKD/ZSLD, the ZIKD three-level terminal blocks, motor-connection terminals, (blade) disconnect terminals, fused terminals, direct-mount terminals, and initiator/actuator terminals for transmitting positioning, encoder and sensors signals.

Tension spring technology is ideal for high vibration applications and will save up to 50% of the time against a traditional screw terminal.

## TECHNICAL DATA

### GENERAL DATA

Rated wire cross section	2.5 mm <sup>2</sup>
Colour	Brown
Rated voltage IEC	800 V
Rated current IEC	24 A
Mounting	TS 35
Rated impulse voltage	8 kV
Overvoltage category	III
Contamination degree	3
Approvals	UL, CSA, GL, CSA US, KEMA KUR, EAC

### DIMENSIONS

Length	59 mm
Width	5.1 mm
Height TS 35/7.5	39 mm

### CONNECTION DATA

Connections	2
Number of levels	1
Plug gauge acc. EN 60 947-1	A3
Cross connect channels	2
Number of test pick off options	2
Cross section single wire from	0.5 mm <sup>2</sup>
Cross section single wire to	4 mm <sup>2</sup>

Cross section stranded wire from	0.5 mm <sup>2</sup>
Cross section stranded wire to	4 mm <sup>2</sup>
Cross section stranded with ferrule from	0.5 mm <sup>2</sup>
Cross section stranded with ferrule to	2.5 mm <sup>2</sup>
Rated wire cross section from (AWG)	20
Rated wire cross section to (AWG)	12
Stripping length	10 mm

## MATERIALS

Insulation material	Polyamide 6.6
Flammability class	UL94-V0
Operating temperature from	-40 °C
Operating temperature to	120 °C

## APPROVALS

Rated voltage UL	600 V
Rated current UL	27 A
UL test standard	UL 1059
Rated voltage CSA	600 V
Rated current CSA	27 A
CSA test standard	C22.2 No 158
Rated voltage CSAus	600 V
Rated current CSAus	27 A
CSAus test standard	UL 1059
GL test standard	IEC 60947-7-1:2009
EAC test standard	TR ZU 004/2011
KEMA KEUR test standard	EN 60947-7-1:2009

## ADDITIONAL DATA

Tariff code	85369010
Country of origin	BG
Weight	7.6 g
Pack size	100



