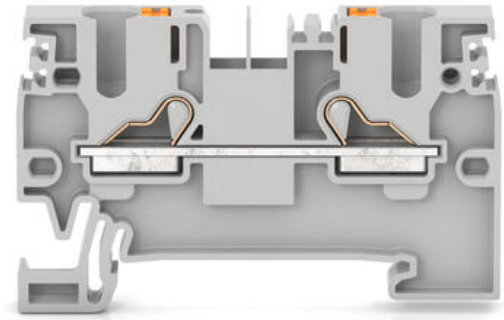


**FEED THROUGH TERMINALS - PRK 1.5-16MM**

PRK

27030.5  
PRK 16/2A Blue, 16mm<sup>2</sup> Push-in feed through

- Tool free connections
- 2 to 4 connections
- 2 way cross connect channel
- Push button cable release
- Test pickoff point

**PRODUCT DESCRIPTION**

The PRK range of Push-in terminal blocks from CONTA-CLIP enables solid wires as well as stranded wires with wire-end ferrules to be safely terminated using less insertion force.

Opening the clamp to release the wire is done using the integrated insulated plunger that insures that actuating the clamping spring is completely safe. This gives you a noticeable time advantage during the wiring process. The extremely compact terminals ensure a high current carrying capacity, a secure fit and the highest level of stability on the rail.

The new feed-through and protective earth terminals will be available in six cross-section ranges from 1.5 mm<sup>2</sup> to 16 mm<sup>2</sup> in 2, 3 and 4-wire connection variants for wire cross-sections of 0.34 mm<sup>2</sup> to 25 mm<sup>2</sup>. The addition of double and triple deck terminals is also available in this growing range.

**TECHNICAL DATA****GENERAL DATA**

Rated wire cross section	16 mm <sup>2</sup>
Colour	Blue

Rated voltage IEC	1000 V
Rated current IEC	85 A
Mounting	Mounting rail TS 35/7.5
Rated impulse voltage	8 kV
Overvoltage category	III
Contamination degree	3

## DIMENSIONS

Length	75 mm
Width	12.1 mm
Height TS 35/7.5	49.5 mm
Height	48 mm

## CONNECTION DATA

Connections	2
Number of levels	1
Plug gauge acc. EN 60 947-1	A7
Cross connect channels	2
Cross section single wire from	0.5 mm <sup>2</sup>
Cross section single wire to	25 mm <sup>2</sup>
Cross section stranded wire from	0.5 mm <sup>2</sup>
Cross section stranded wire to	16 mm <sup>2</sup>
Cross section stranded with ferrule from	0.5 mm <sup>2</sup>
Cross section stranded with ferrule to	16 mm <sup>2</sup>
Rated wire cross section from	20 AWG
Rated wire cross section to	4 AWG
Stripping length	18 mm

## MATERIALS

Insulation material	Polyamide 6.6
Flammability class	UL94-V0
Operating temperature from	-40 °C
Operating temperature to	120 °C

## ADDITIONAL DATA

Tariff code	85369010
-------------	----------

<b>Country of origin</b>	DE
<b>Weight</b>	33.76 g
<b>Pack size</b>	50
<b>Number of terminals per level</b>	2