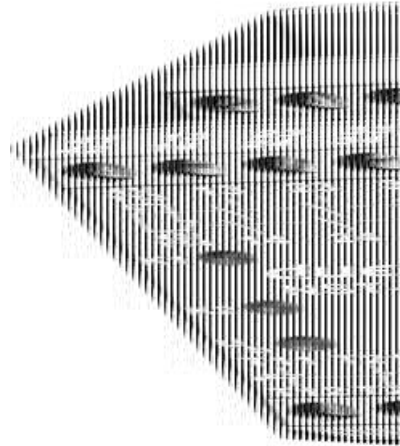


**DUELCO - NST-2004 SAFETY RELAY**

42010204

NST2004F Cat.4 Emergency Stop Relay 24Vdc

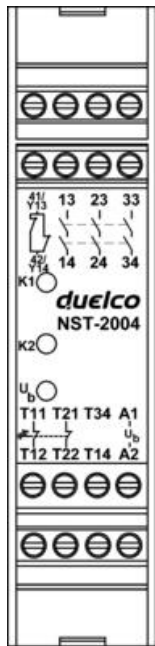
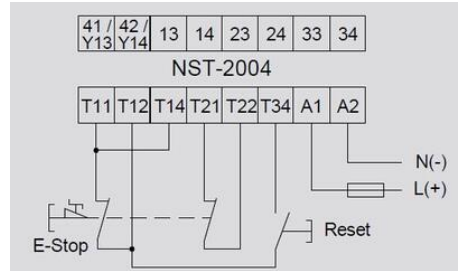
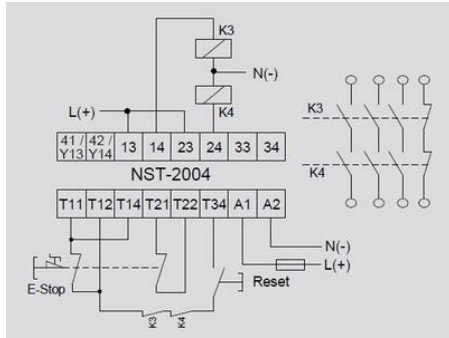
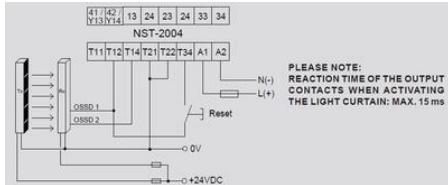
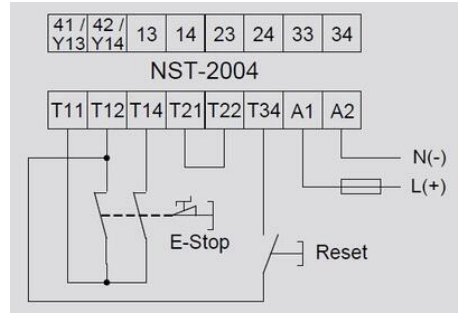
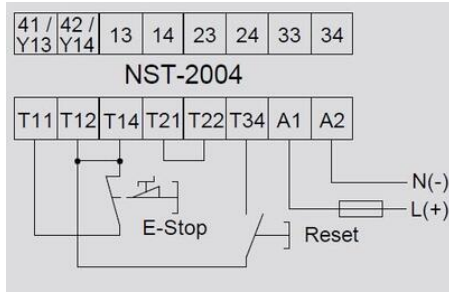
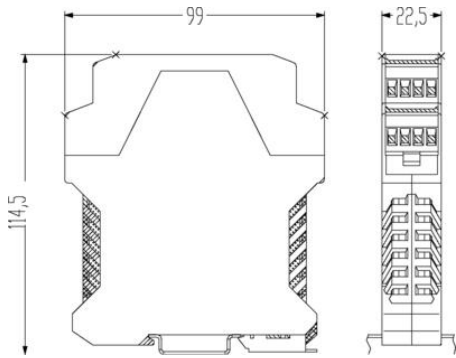
- Safety Category 4 (PLe)
- 3 NO safety outputs
- 1 transistor output or 1 NC contact
- Status/fault indication via LEDs
- Short circuit monitoring

**PRODUCT DESCRIPTION**

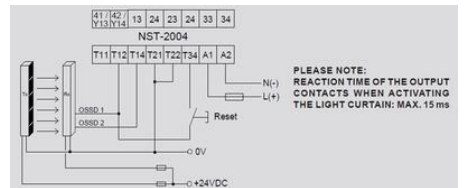
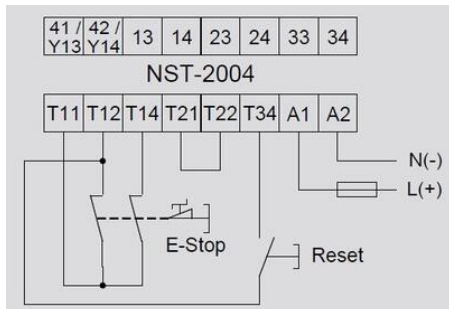
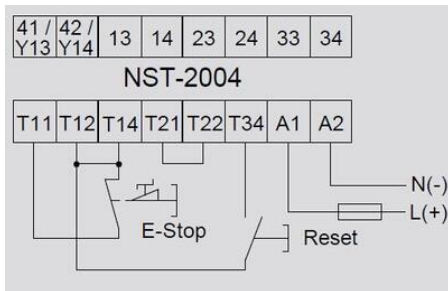
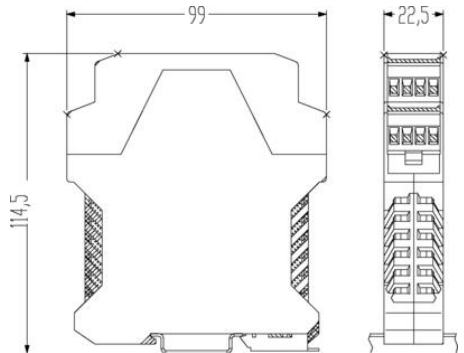
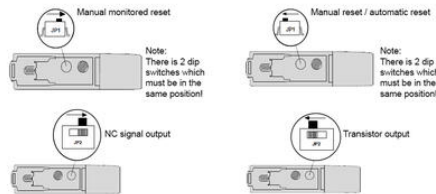
One of the most common relays in our safety relay range. Suitable for most applications including switches, light curtains and non contact switches. Transistor output for PLC monitoring.

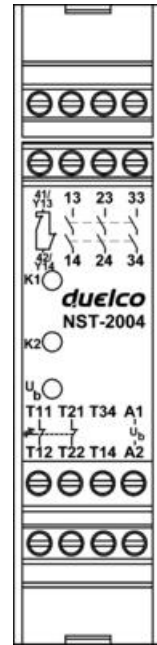
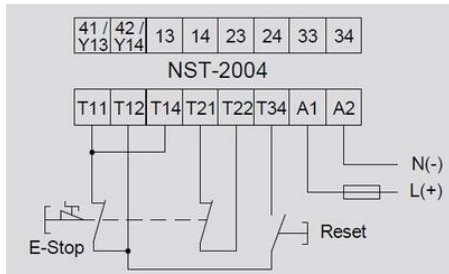
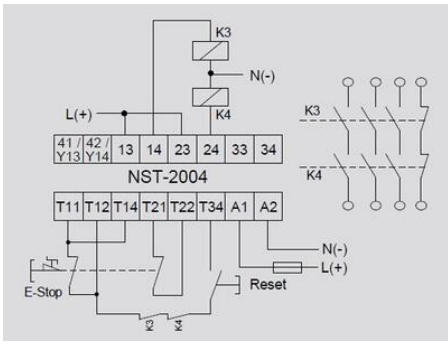
**TECHNICAL DATA**

<b>Approvals</b>	CE
<b>IP class connection</b>	IP20
<b>IP class housing</b>	IP40
<b>Mechanical life expectancy</b>	> 10 million
<b>PL</b>	e (EN ISO 13849-1)
<b>Reset type</b>	Automatic/manual, Manual monitored
<b>Safety category</b>	4
<b>Safety outputs NO</b>	3
<b>Signal output NC</b>	1
<b>Supply voltage</b>	24V DC
<b>Temperature operational max</b>	60 °C
<b>Temperature operational min</b>	-25 °C
<b>Tolerance</b>	±10%
<b>Width</b>	22.5 mm



On the bottom of safety relay there is DIP-switches, where you can choose below functions:





On the bottom of safety relay there is DIP-switches, where you can choose below functions:

