

## LED MULTIFUNCTION COUNTER, CODIX 524

6.524.012.300  
 CODIX 524 LED DISPLAY 10-30VDC



- 10-30 V dc
- Pulse, Frequency and time
- 6 Digit display
- 60 kHz Max. input

### PRODUCT DESCRIPTION

Indication counter with selectable functions such as: pulse counter, Frequency display, Position displays without limit values, Tachometer without limit values hour meters / timers and short-time meter.

LED display with 6 x digits, 8 mm. The counter is programmed using the two buttons at the front of the counter. These buttons can also be locked if so required. The counter has two counter inputs. Built-in memory backup EEPROM. Cable connection with screw terminal. The counter comes with clamps, gaskets and separate front frames to fit 25x50 mm panel holes. One for screw fitting and one without.

#### Pulse counter

For counting and adding pulses, also works as a position counter together with an angle sensor. The counter function is selected during programming

Cnt.dir	A=counter input B=counter direction	Quad	A=0° (designed for two-channel angle sensor) B=90°
Up.dn	A=counting up B=counting down	Quad2	Same as quad, but multiplies the pulse count by 2.

#### Chronometer/timer

For timing where the outputs are activated once a preset time is reached. Adjustable time ranges in one of the following ranges: h or min or sec, or h:min:s (e.g. 06 h:23 min:45 sec). The position of the decimal point determines the resolution of the time selected, e.g. whole seconds, tenths and hundredths of a second.

#### Tachometer/frequency/revolution counter

For displaying speed, e.g. rpm or metres per second. The counter speed can be selected between 30 Hz or 20 kHz.

User-friendly and versatile Large keys that can be operated even while wearing gloves Programming: Straightforward and consistent programming and operation using plain text programming. Access to programming is possible during operation, with safety prompts in place. Adjustable scaling on an individual basis Multiplication and division factors ranging from 0.0001 to 99.9999, enabling the calculation of corresponding units such as position in 1/10 mm and speed in RPM. Four different counter input types available for position display: counting direction, difference or addition mode, phase discriminator with single, double, or quadruple evaluation Frequency measurement with the option to display in 1/min or 1/sec Time counting: Pulse width or period duration measurement in hours, minutes, or seconds, along with real-time display capability Inputs: In addition to HTL inputs, devices with 4 to 30 V DC input level can also be used as parallel displays for PLC. Optional output: Provides a 0 signal for position and counting, allows for standstill monitoring at speed, and offers a 1 Hz cycle during active timing.

## TECHNICAL DATA

Connection	Screw terminal
Depth	59 mm
Digit height	8 mm

<b>EMC</b>	EN55011, 2004/108/EC, EN 61000-3-2, EN 61000-3-3
<b>Height</b>	24 mm
<b>Input impedance, typ</b>	5 k $\Omega$
<b>IP class</b>	IP65
<b>Material</b>	Plastic
<b>Mounting</b>	Panel mount
<b>Number colour</b>	Red
<b>Number of digits</b>	6
<b>Operating voltage dc max</b>	30 V
<b>Operating voltage dc min</b>	10 V
<b>Panel size</b>	24x48 mm
<b>Polarity</b>	Yes
<b>Storage temperature max</b>	70 °C
<b>Storage temperature min</b>	-25 °C
<b>Temperature operational max</b>	65 °C
<b>Temperature operational min</b>	-20 °C
<b>Weight</b>	50 g
<b>Width</b>	48 mm

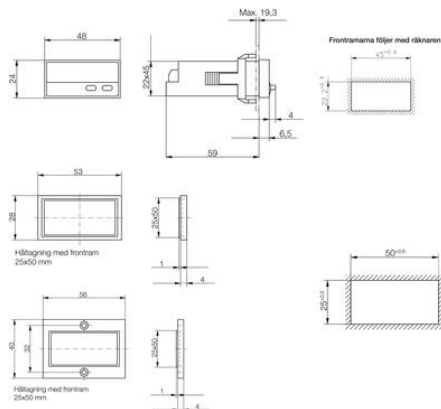
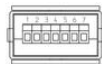
Utan optokopplare

- 1 10 ... 30 V DC
- 2 0 V GND
- 3 Ingång A
- 4 Ingång B
- 5 Reset



Med optokopplare

- 1 10 ... 30 V DC
- 2 0 V GND
- 3 Ingång A
- 4 Ingång B
- 5 Reset
- 6 Emmitter
- 7 Collector



Utan optokopplare

- 1 10 ... 30 V DC
- 2 0 V GND
- 3 Ingång A
- 4 Ingång B
- 5 Reset



Med optokopplare

- 1 10 ... 30 V DC
- 2 0 V GND
- 3 Ingång A
- 4 Ingång B
- 5 Reset
- 6 Emmitter
- 7 Collector

