

LED MULTIFUNCTION COUNTER, CODIX 52P

6.52P.012.300
 CODIX 52P LED DISPLAY 10-30VDC



- 10-30 V dc
- 6 Count modes with tachometer
- 6 Digit display
- 30 kHz Max. Input

PRODUCT DESCRIPTION

Functions:

- Pulse counter
- Frequency display
- Position displays without limit values
- Tachometer without limit values
- Dual-function display

Fastcounter and frequency input, with a maximum input frequency of 30 kHz Sturdy housing protected by IP65 rating Exceptionally bright LED display, featuring 8 mm tall digits and 6-digit capacity. Utilises an exact and highly accurate frequency measurement method known as HRA (High Rate Accuracy) System.

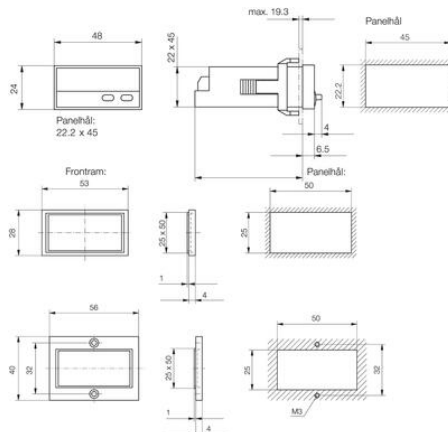
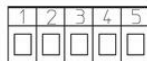
Frequencies up to 38 Hz are assessed through period measurement, while frequencies above 38 Hz are evaluated using a specialized gate time measurement. Despite the short gate time, it achieves a remarkable accuracy of less than 0.1%. The measurement result is available within a maximum of 50 ms. Quick start-up time - Detects incoming pulses just 16 ms after the power supply is switched on, ensuring no pulse loss when starting the motor simultaneously.

User-friendly and versatile with large keys that can be operated even while wearing gloves Programming: Simple to programme; device is programmed through the device menus and access to programming is possible even during operation. Switching between displays is also possible when in use.

Individually adjustable scaling: Multiplication and division factor range from 0.0001 to 99.9999, enabling the display of corresponding units such as position in 1/10 mm and speed in RPM. Separate factors and inputs for frequency and pulse counting. Four different counter input types available for position display: 2-channel input for acquiring counting direction, differential or addition mode, phase discriminator with single, double, or quadruple evaluation. One separate input for speed and velocity, with the option to display in 1/min or 1/sec. Inputs: In addition to HTL inputs, devices with a 4 to 30 V DC input level are available as an alternative for use as a parallel display to PLC.

Utän optokopplare

- 1 10 ... 30 V DC
- 2 0 V GND
- 3 Ingång A
- 4 Ingång B
- 5 Reset



Utän optokopplare

- 1 10 ... 30 V DC
- 2 0 V GND
- 3 Ingång A
- 4 Ingång B
- 5 Reset

